

## SPECIFICATION

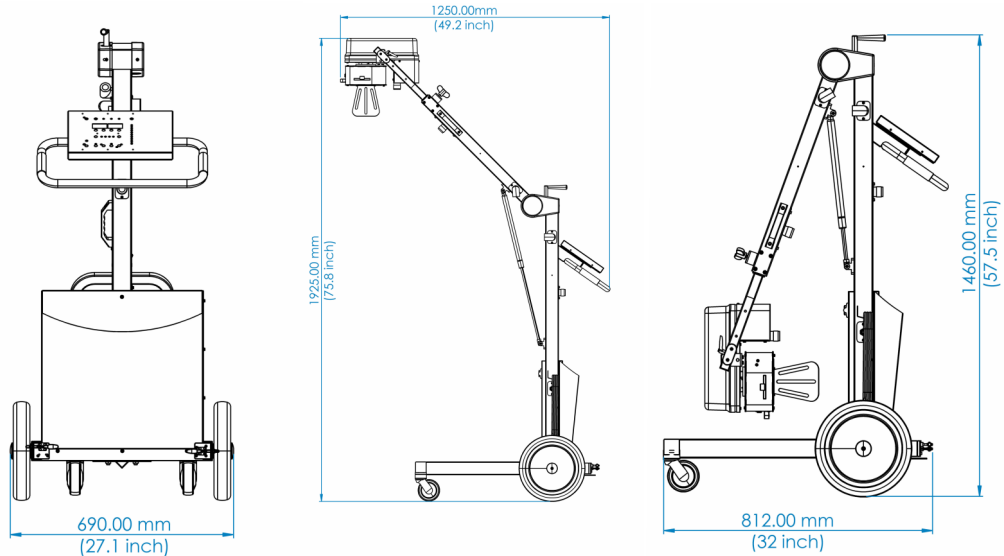
Model	ALERIO Smart 4200
Generator Type	High Frequency DC Output
Output kV	40kV-120kV in steps of 1kV
Output mA	100mA maximum
Output Power	4.2 kW (100kV, 42mA)
mAs Range	0.1-250mAs
Exposure Time	0.01s – 5.0s
Focal Spot	0.6mm / 1.8mm IEC
Leakage Radiation	< 1mGy in one hour / (<100mR/hr)
Collimator	Manual Collimator with LED bulb
Dimensions Footprint	850mm x 690mm (Floor Area)
Overall Weight	< 80kG
User Interface	Digital with APR and Exposure Switch
Mains Voltage Range	180VAC – 260VAC, 15A

**ALERIO** Smart 4200 is a compact yet powerful Mobile X-Ray Machine for general radiographic procedures. It uses advanced High Frequency DC Output x-ray generation technology. The overall size and weight of the equipment is low, making it ideal for applications with space constraints. The DC output enables good x-ray imaging at lower exposure settings. The equipment can be powered from a standard power outlet. It has an in-built voltage stabiliser to counter mains voltage variations. The equipment has a selectable second focus for finer low dose imaging. **ALERIO** Smart is designed and Made in India by an ISO 13485 certified company. It comes with warranty and support. The unit is BIS and AERB regulatory certified.

### Typical Usage Environment

- Clinics, Laboratories & Hospitals
- ER & Patient Bedside X-Ray
- Remote Locations & Home Visits
- Secondary to Fixed X-Ray

40kV-120kV, 100mA  
250mAs, 4.2kW  
Dual Focus



### FEATURES

- 200kHz HF DC Generator
- 100mA / 40-120kV / 4.2kW
- Dual Focus LF 1.8mm & SF 0.6mm
- Digital Command & Control
- Compact Size and Weight
- Programmable APR Feature
- In-Built Stabiliser



Images from a ALERIO Smart 4200 mobile x-ray



Manufacturer, Sales, Service :  
**IATOME ELECTRIC (I) PVT. LTD.**

### Enquiry & Sales

M: +91 9787505551 | +91 9943475551 | +91 7418365551 | +91 8870011990  
Toll-Free: 1800-833-8090 | sales@alerio.in | enquiry@alerio.in

DISCLAIMER: All information, images and data provided in this document are preliminary and provisional